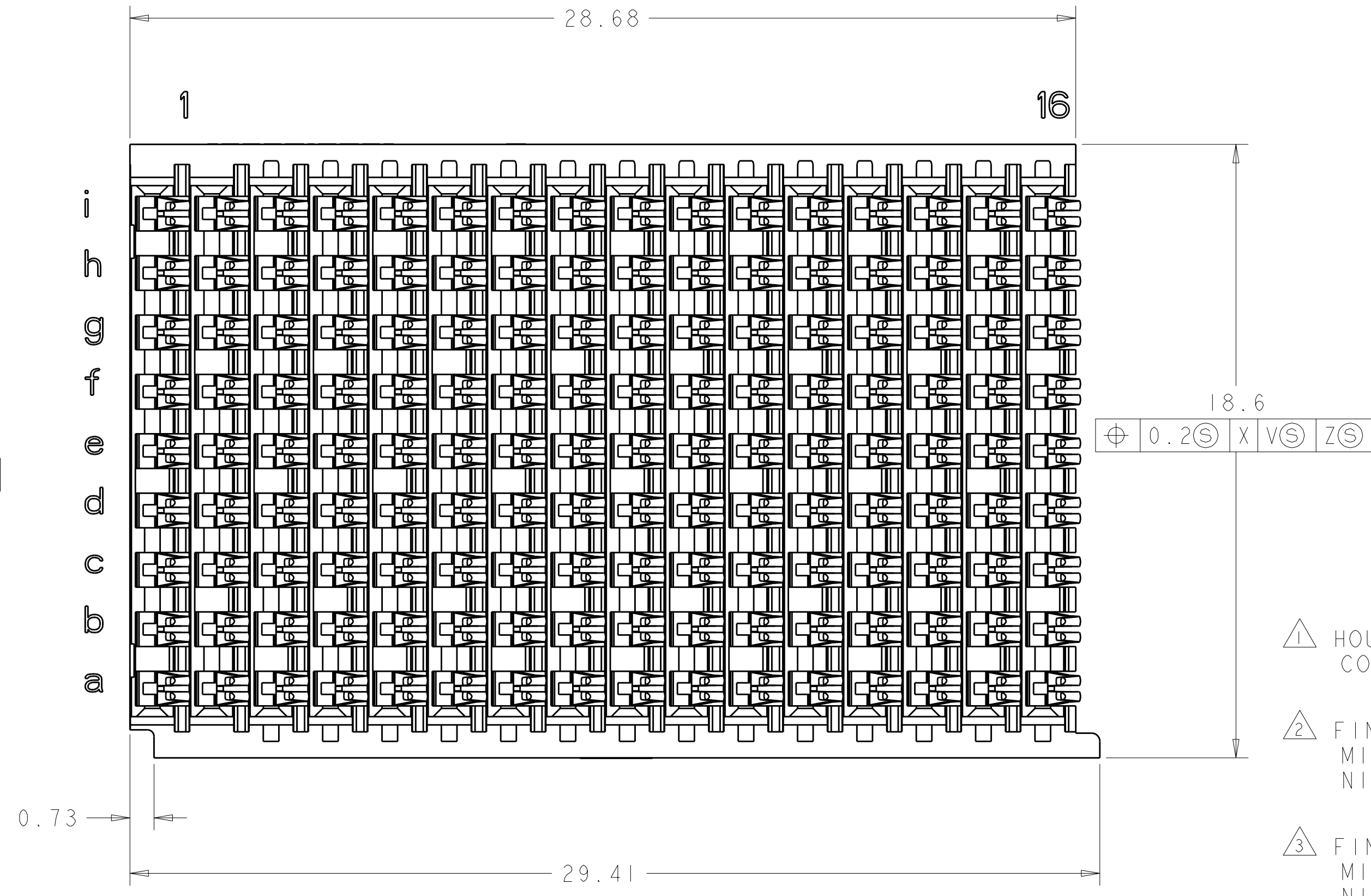
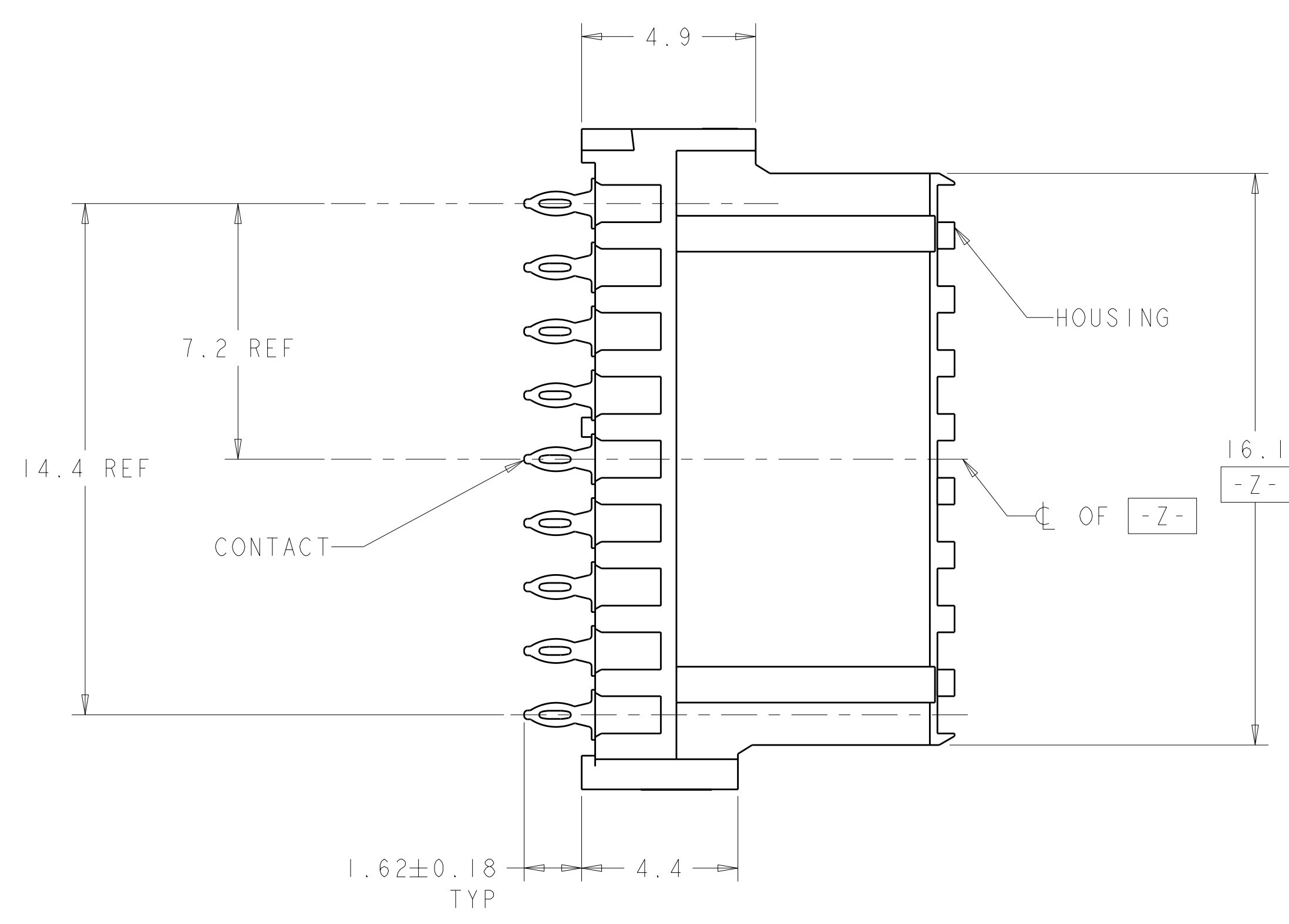
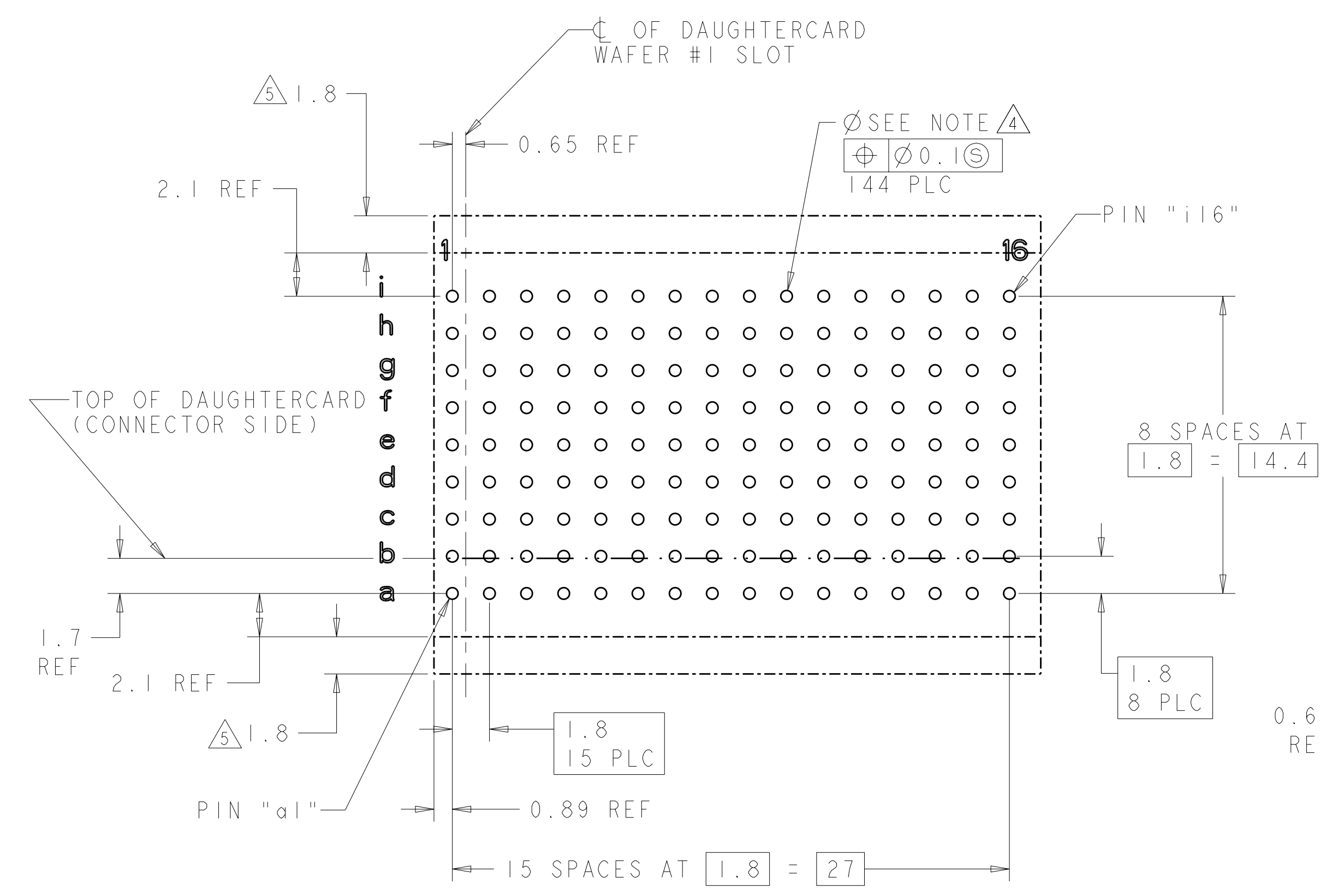


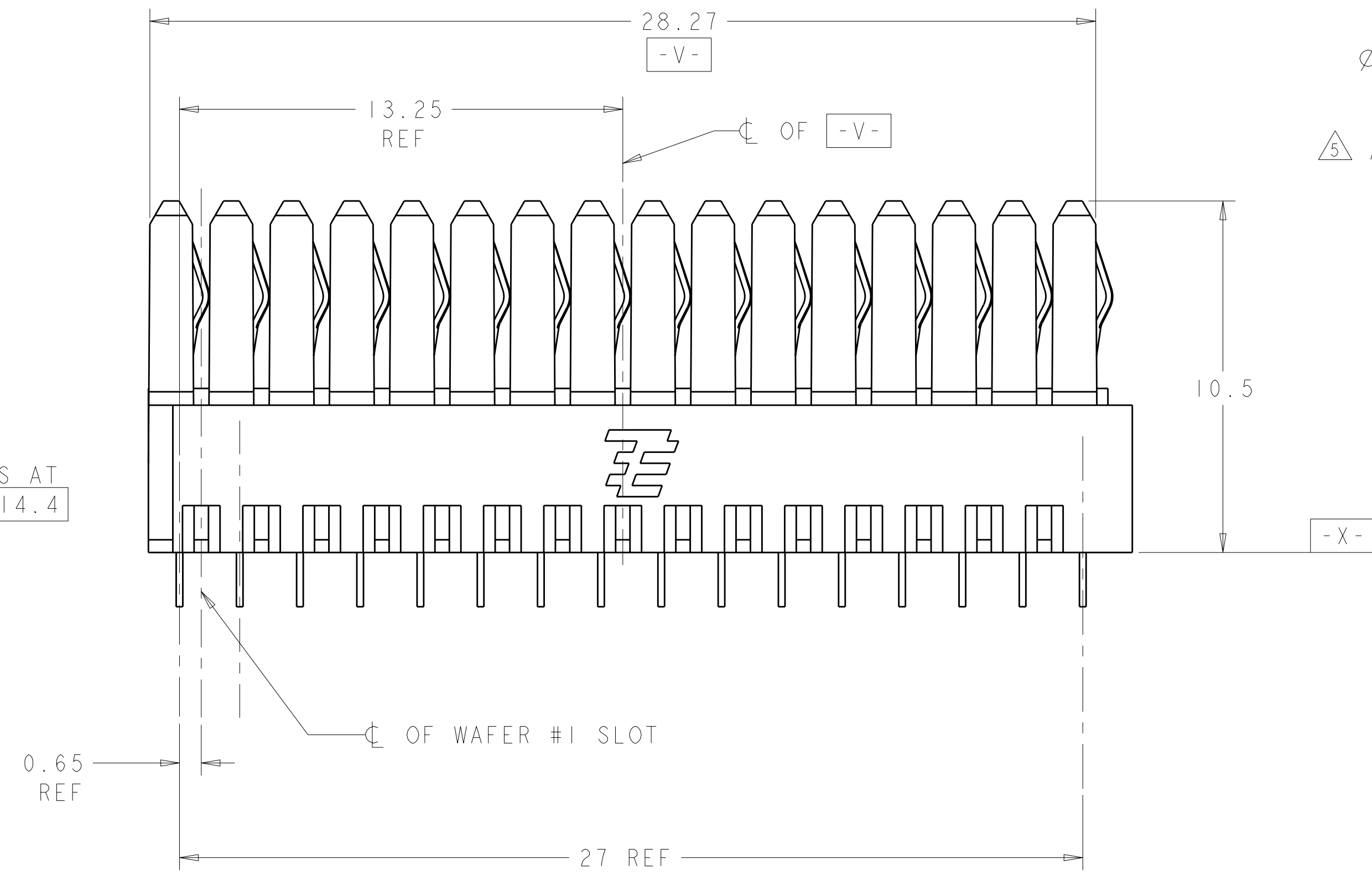
LOC	DIST	REV	DATE	BY	APPD
GP	00	C	05SEP2011	HMR	AS
		REVISIONS			
		DESCRIPTION	DATE	DWN	APPD
		REVISED PER ECO-11-003271	05SEP2011	HMR	AS



- △ HOUSING: LCP, UL94V0, COLOR: BLACK.
CONTACT: PHOSPHOR BRONZE.
- △ FINISH: 1.27μm GOLD IN CONTACT AREA 1.27μm MIN. TIN-LEAD ON PCB TAIL OVER 3.81μm MIN. NICKEL OVER ALL.
- △ FINISH: 1.27μm GOLD IN CONTACT AREA 1.27μm MIN. TIN ON PCB TAIL OVER 3.81μm MIN. NICKEL OVER ALL.
- △ MANUFACTURING TOLERANCE FOR:
 ∅0.56±0.05 FINISHED HOLE WITH Sn PB PLATING:
 DRILLED HOLE = ∅0.65±0.02
 COPPER PLATING = 0.025-0.050
 Sn PB PLATING = 0.0038-0.0124
 OR
 ∅0.575±0.05 FINISHED HOLE WITHOUT Sn PB PLATING:
 DRILLED HOLE = ∅0.65±0.02
 COPPER PLATING = 0.025-0.050
- △ ADDITIONAL CONNECTOR-SIDE KEEPCUT AREA REQUIRED IF CONNECTOR-SIDE EXTRACTION TOOL IS TO BE USED.



PC BOARD LAYOUT
(CONNECTOR SIDE)
(SEE SHEET 2 FOR RTM)
SCALE 5:1



1410140-2	1410140-1
PLATING	PART NO

THIS DRAWING IS A CONTROLLED DOCUMENT.

DIMENSIONS:	TOLERANCES UNLESS OTHERWISE SPECIFIED:	DWN	08NOV2002
mm	0 PLC ±	CHK	TREA
	1 PLC ±0.5	APPD	18NOV2002
	2 PLC ±0.13		J. CONSOLI
	3 PLC ±		18NOV2002
	4 PLC ±	PRODUCT SPEC	
	ANGLES ±1°	108-2072	
MATERIAL:	FINISH:	APPLICATION SPEC	
△	△	114-13056	
		SIZE	CAGE CODE
		114-13056	114-13056
		WEIGHT	
		CUSTOMER DRAWING	

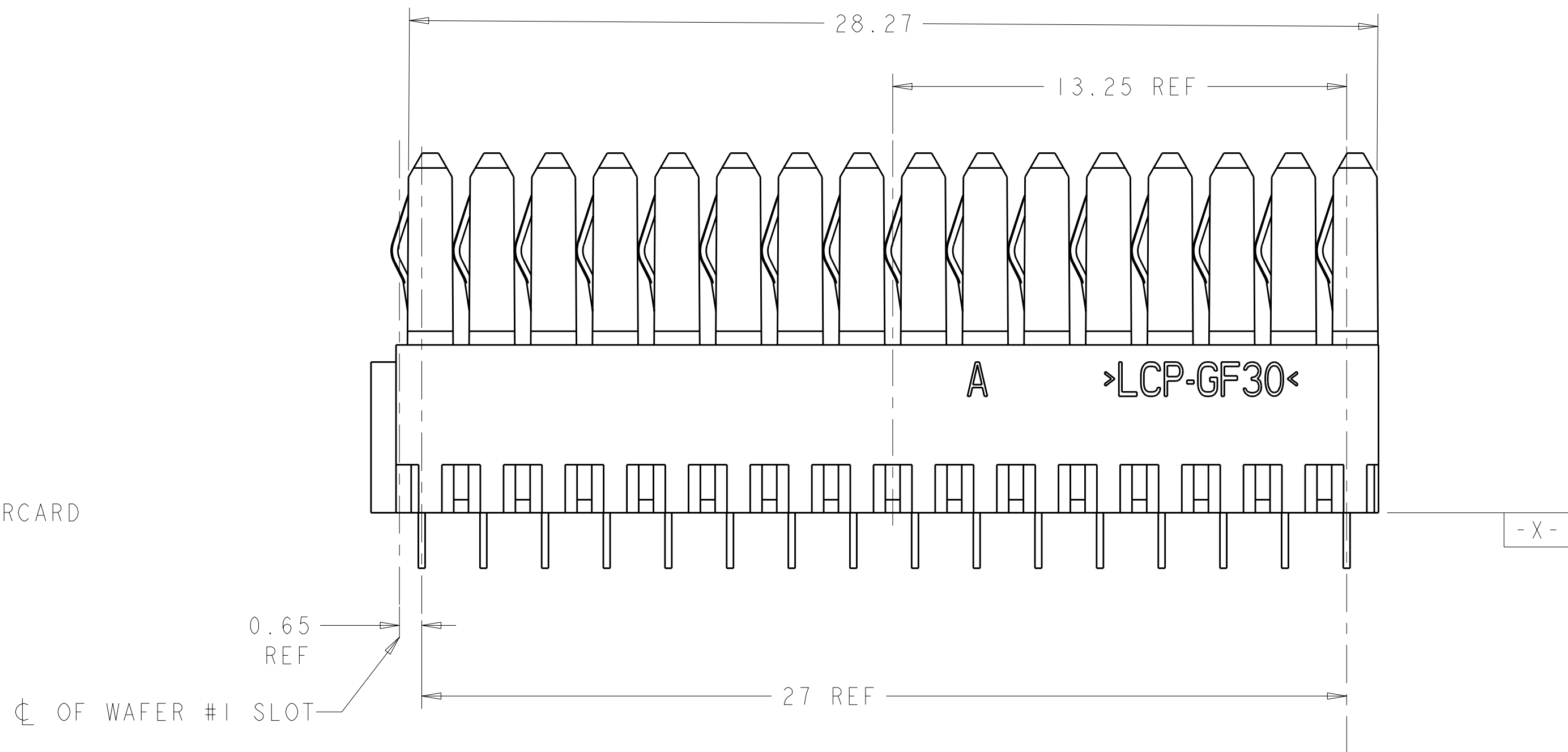
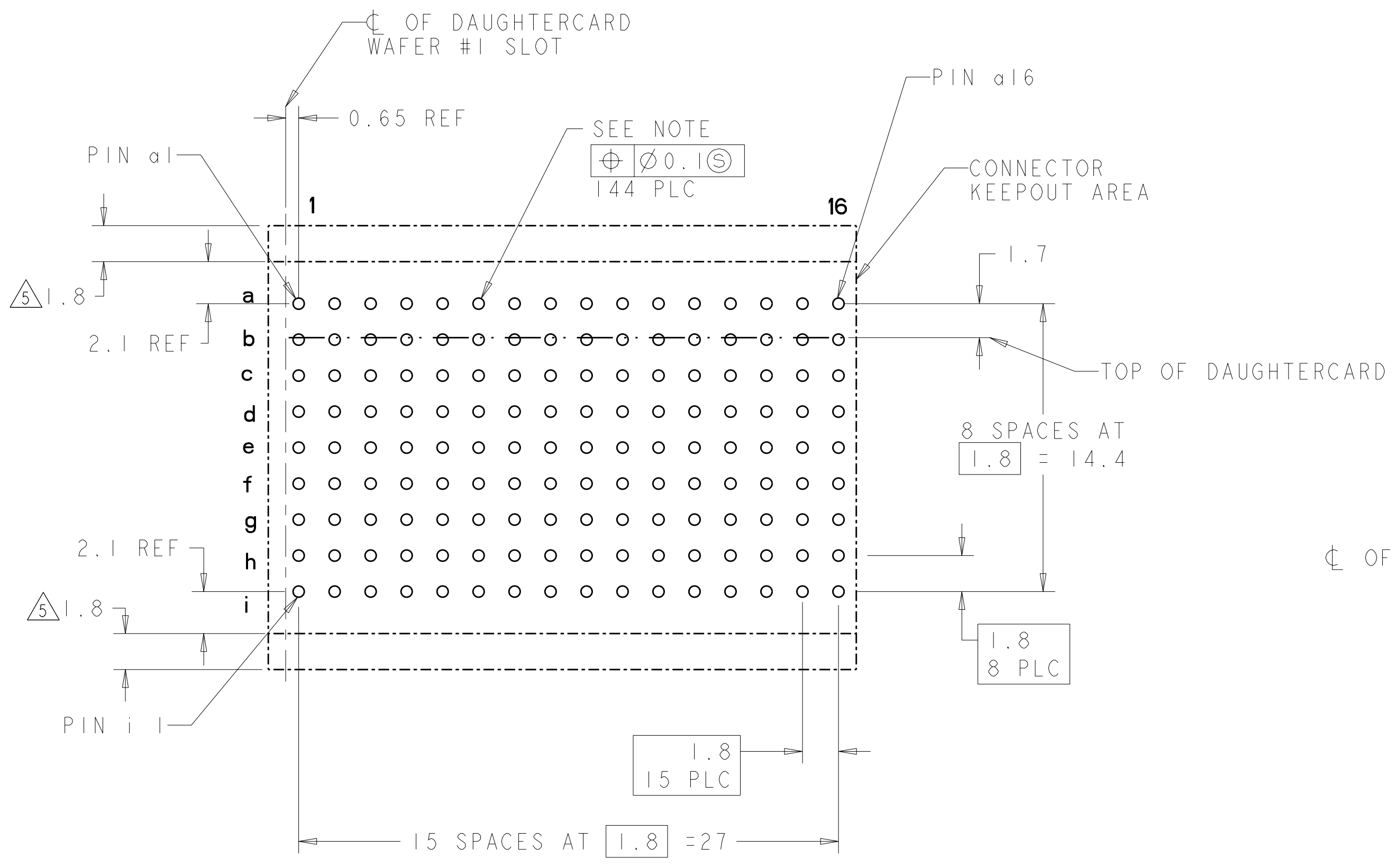
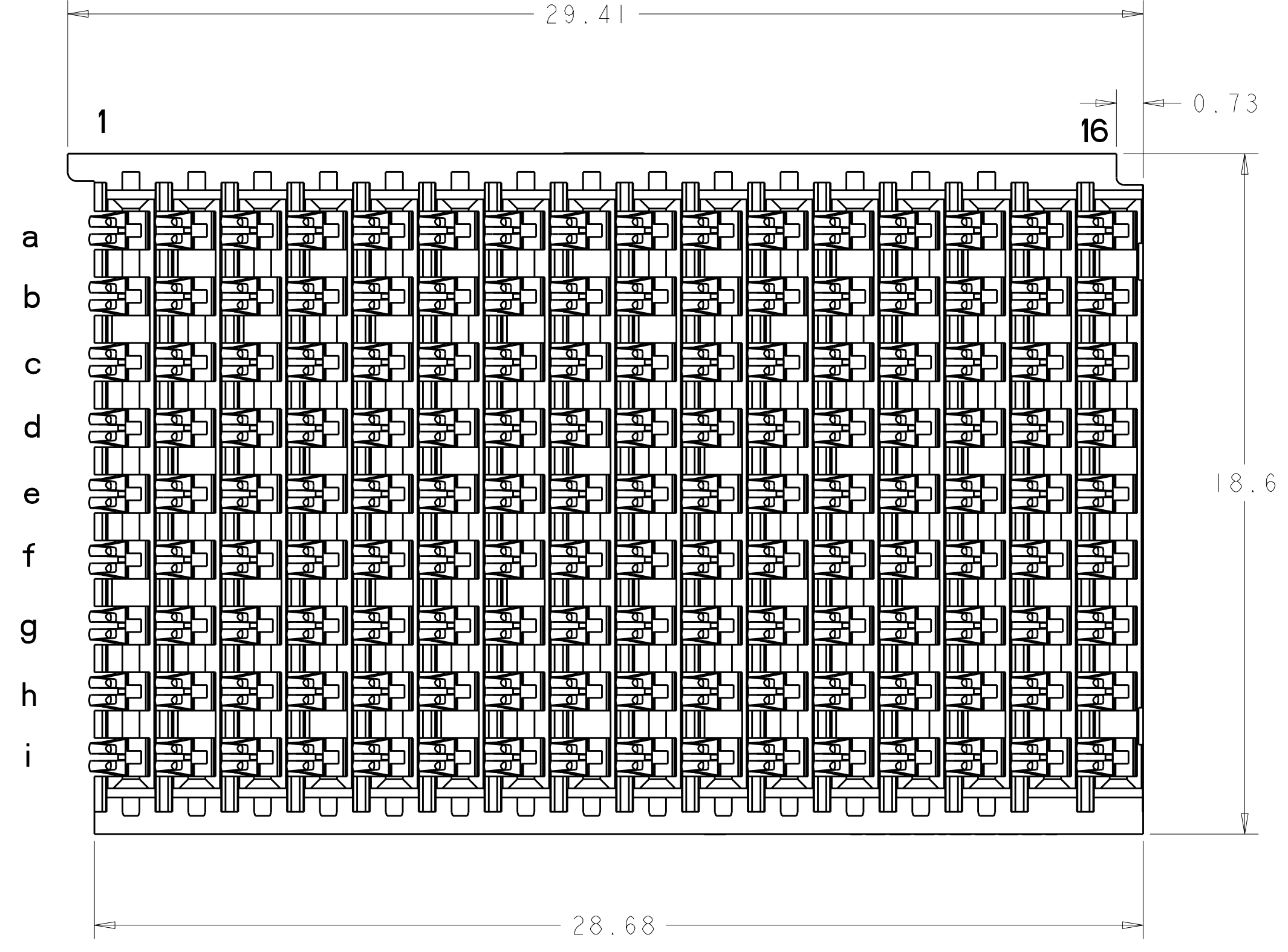
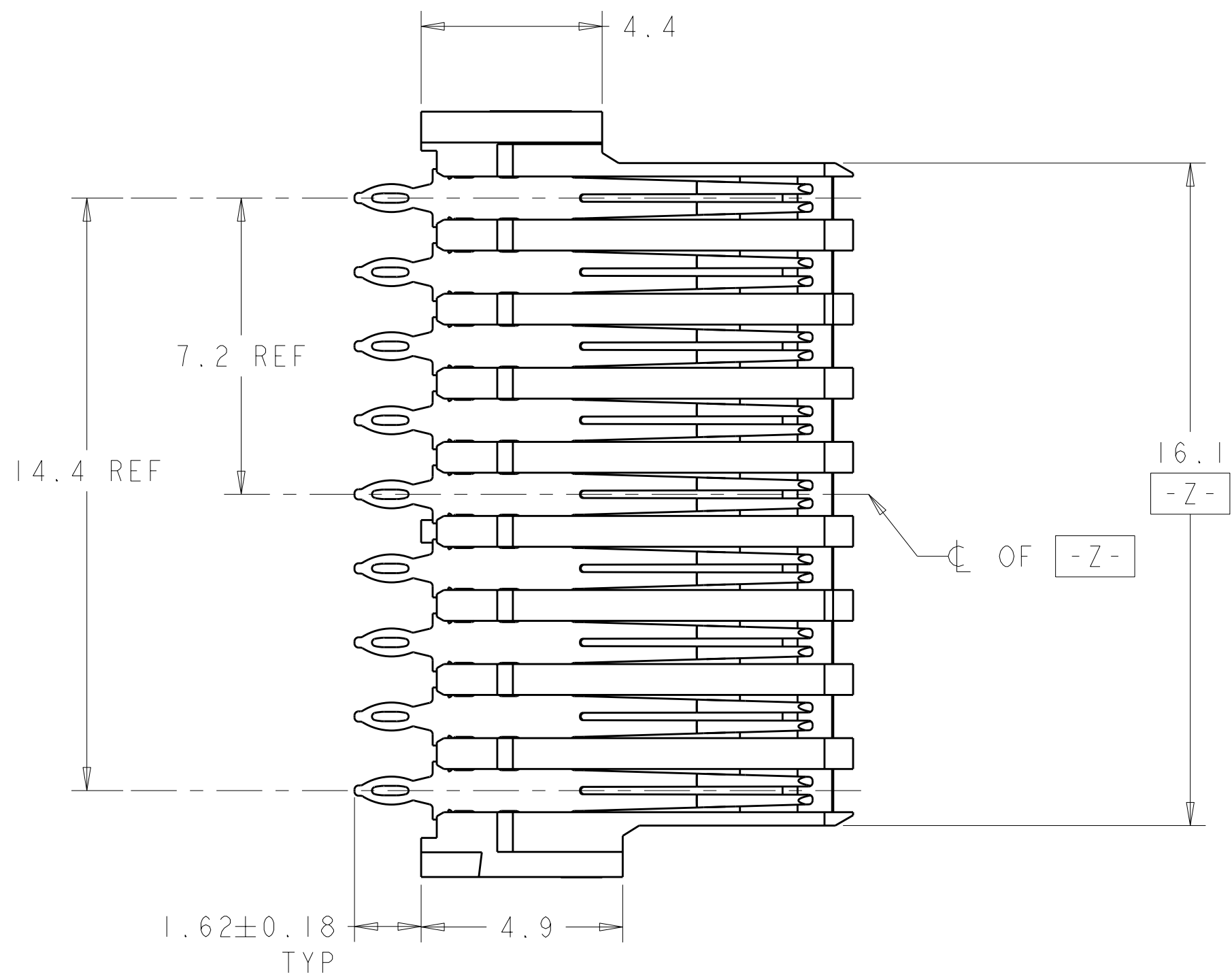
TE Connectivity
CONNECTOR ASSEMBLY, BACKPLANE VERTICAL RECEPTACLE, CENTER, 20.3mm, MultiGig RT 2

A1100779C=1410140

SCALE 4:1 SHEET 1 OF 2 REV C

LOC	DIST	REV	DATE	BY	APPD
GP	00				
REVISIONS			DESCRIPTION	DATE	DWN
			SEE SHEET 1		

REAR TRANSITION MODULE APPLICATION



RTM PC BOARD LAYOUT
(CONNECTOR SIDE)
SCALE 5:1

THIS DRAWING IS A CONTROLLED DOCUMENT.		DWN: R. TREA 08NOV2002	TE Connectivity
DIMENSIONS: mm		CHK: J. CONSOLI 18NOV2002	
TOLERANCES UNLESS OTHERWISE SPECIFIED:		APPD: 18NOV2002	
9 PLC ±	0.5	PRODUCT SPEC 108-2072	NAME: CONNECTOR ASSEMBLY, BACKPLANE VERTICAL RECEPTACLE, CENTER, 20.3mm, MultiGig RT 2
3 PLC ±	0.13	APPLICATION SPEC	SIZE: CAGE CODE DRAWING NO. RESTRICTED TO
5 PLC ±			A100779C=1410140
4 PLC ±			
ANGLES ±	1°	WEIGHT	
MATERIAL		CUSTOMER DRAWING	SCALE 4:1 SHEET 2 OF 2 REV C