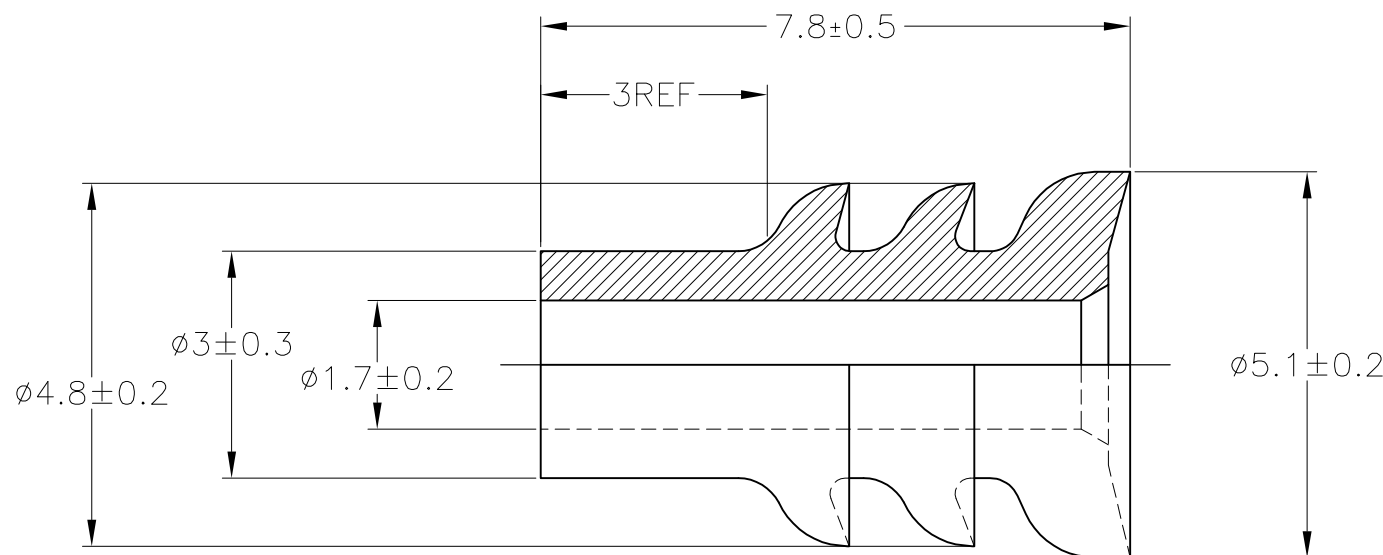


THIS DRAWING IS UNPUBLISHED. RELEASED FOR PUBLICATION
 © COPYRIGHT - By - ALL RIGHTS RESERVED.

LOC	DIST	REVISIONS 変更					
J	—	P	LTR	DESCRIPTION	DATE	DWN	APVD
			C2	REVISED PER ECO-11-005140	28MAR11	RK	HMR



△ OIL COATED TYPE

△ オイル塗布タイプ

NBR	灰色 (GRAY)	9-172888-2
Si	べんがら色 (BROWN)	1-172888-3
NBR	緑色 (GREEN)	172888-3
NBR △	灰色 (GRAY)	172888-2
SEE DRAWING 172888-1		172888-1
MATERIAL	COLOR	PART NUMBER

WIRE RANGE 0.5~1.25mm ² (AWG#20-#16)	INSULATION DIA. 2~2.6mmφ
---	-----------------------------

THIS DRAWING IS A CONTROLLED DOCUMENT.		DWN T.SHINOHARA 11MAY06
DIMENSIONS: 単位: 耗 mm		CHK K.BETSUI 11MAY06
TOLERANCES UNLESS OTHERWISE SPECIFIED: 一般公差		APVD K.BETSUI 11MAY06
0 PLC ± -		PRODUCT SPEC 製品規格
1 PLC ± -		APPLICATION SPEC 取付適用規格
2 PLC ± -		WEIGHT —
3 PLC ± -		SIZE A3
4 PLC ± -		CAGE CODE 00779
ANGLES ± -		DRAWING NO C-172888
MATERIAL 材料 SEE TABLE		RESTRICTED TO —
FINISH 仕上 —		SCALE 尺度 10:1
CUSTOMER DRAWING		SHEET 1 OF 1
		REV C2

STE TE Connectivity			
070 TYPE RUBBER PLUG			
NAME 名称	SIZE A3	CAGE CODE 00779	DRAWING NO C-172888
SCALE 尺度 10:1		SHEET 1 OF 1	REV C2