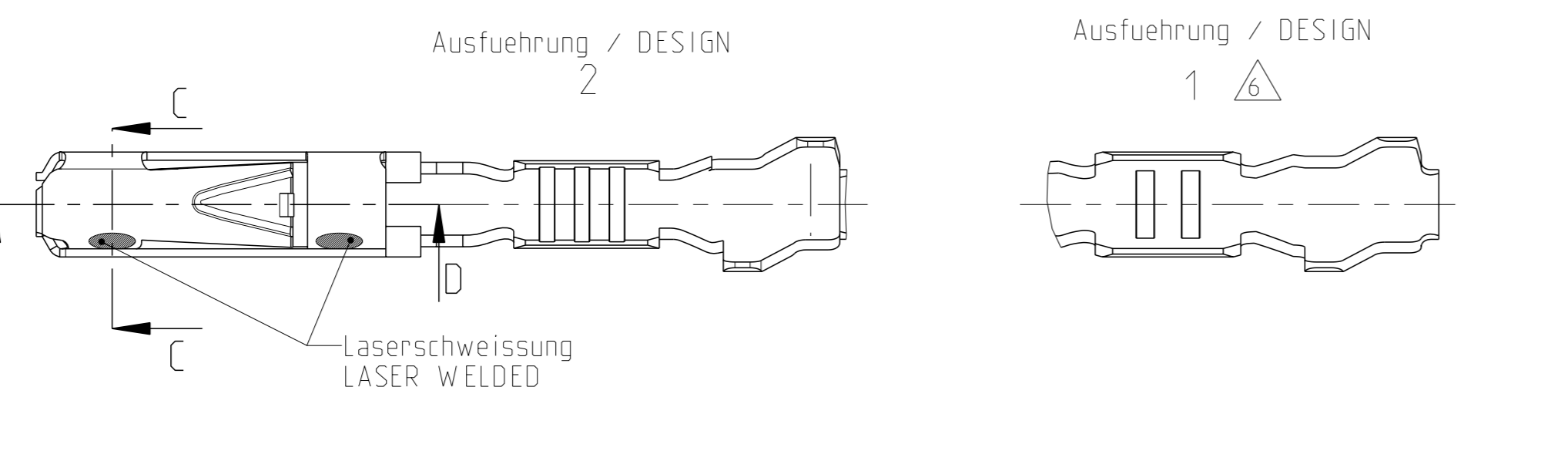
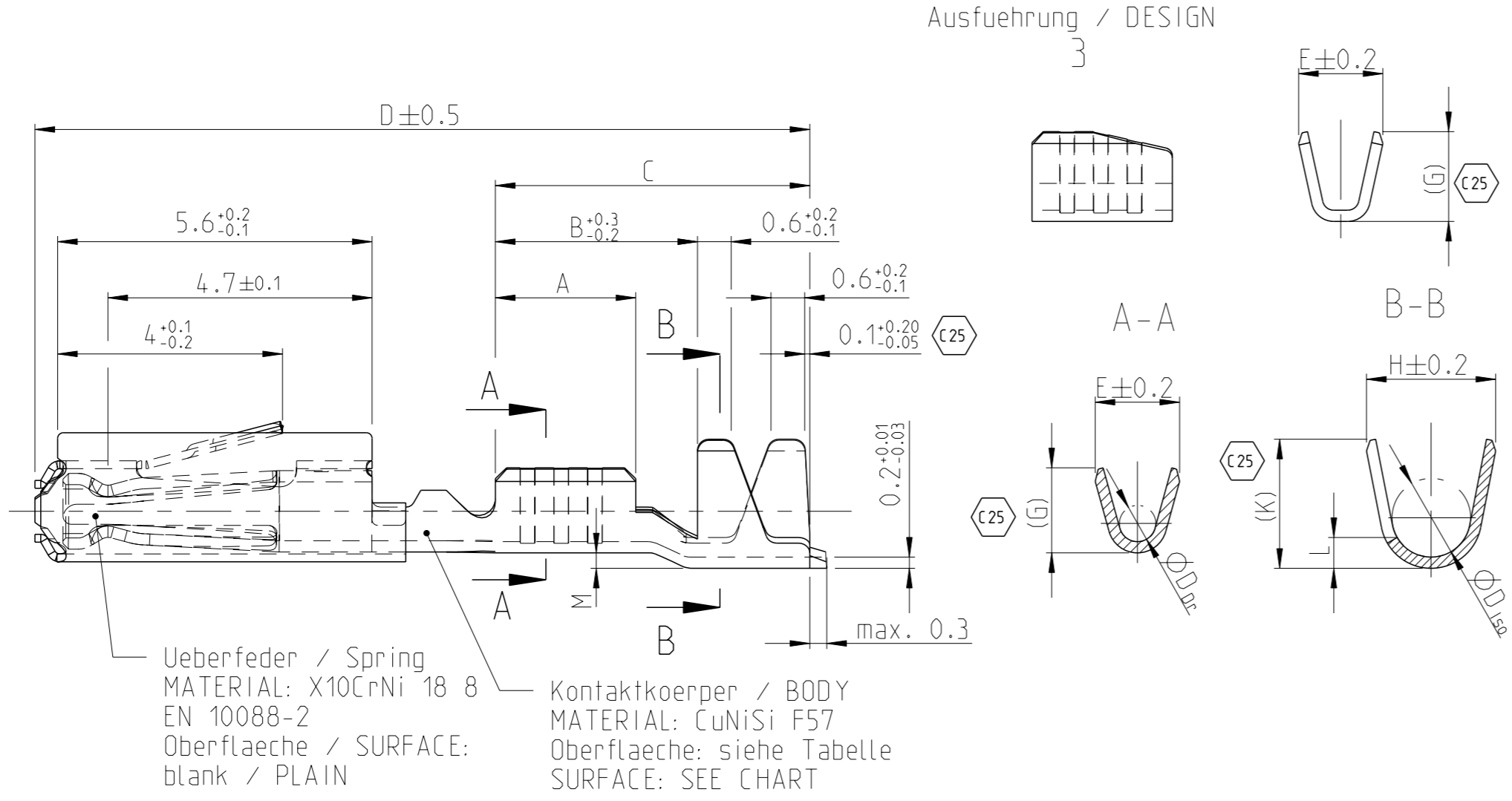
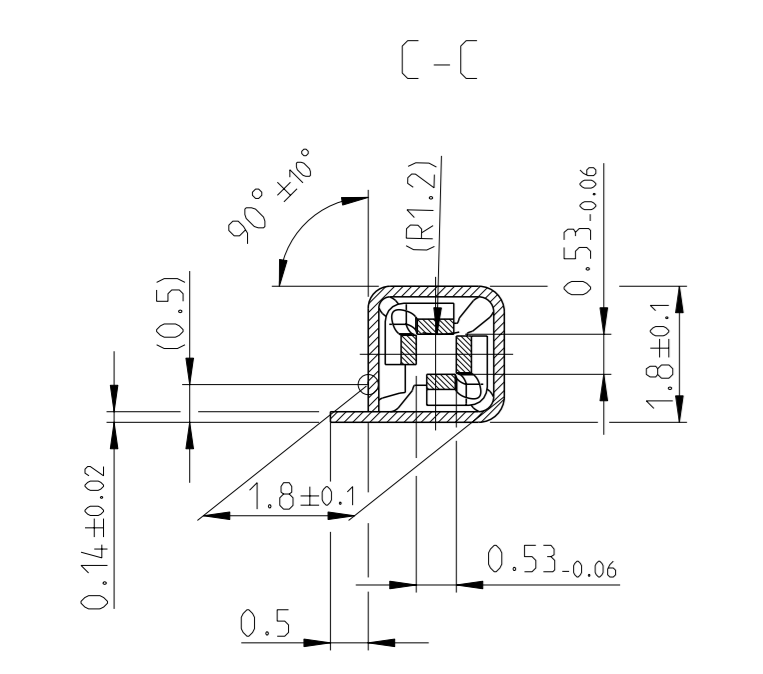
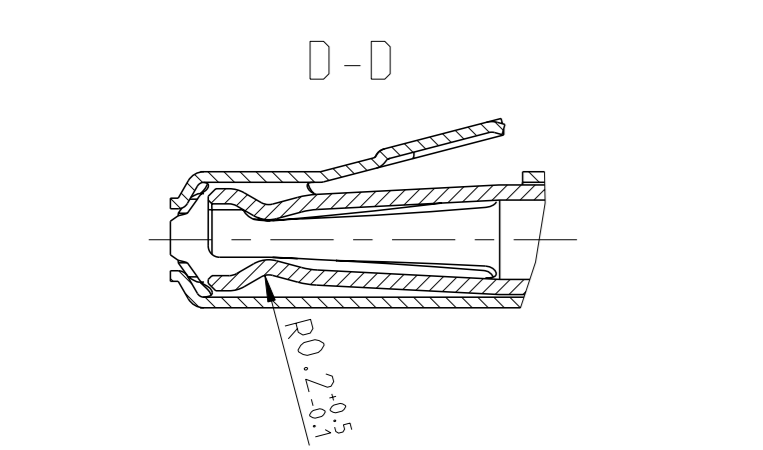
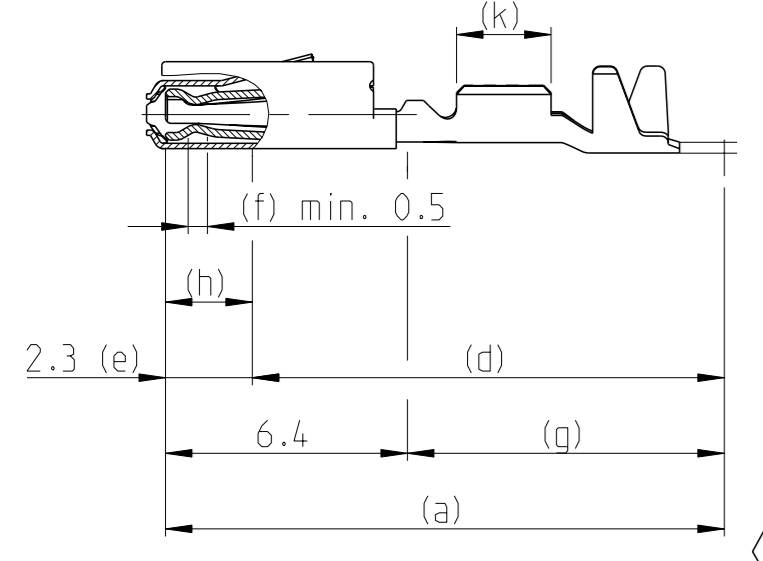


Normale Anwendung
 USUAL APPLICATION



Oberflaeche / FINISH

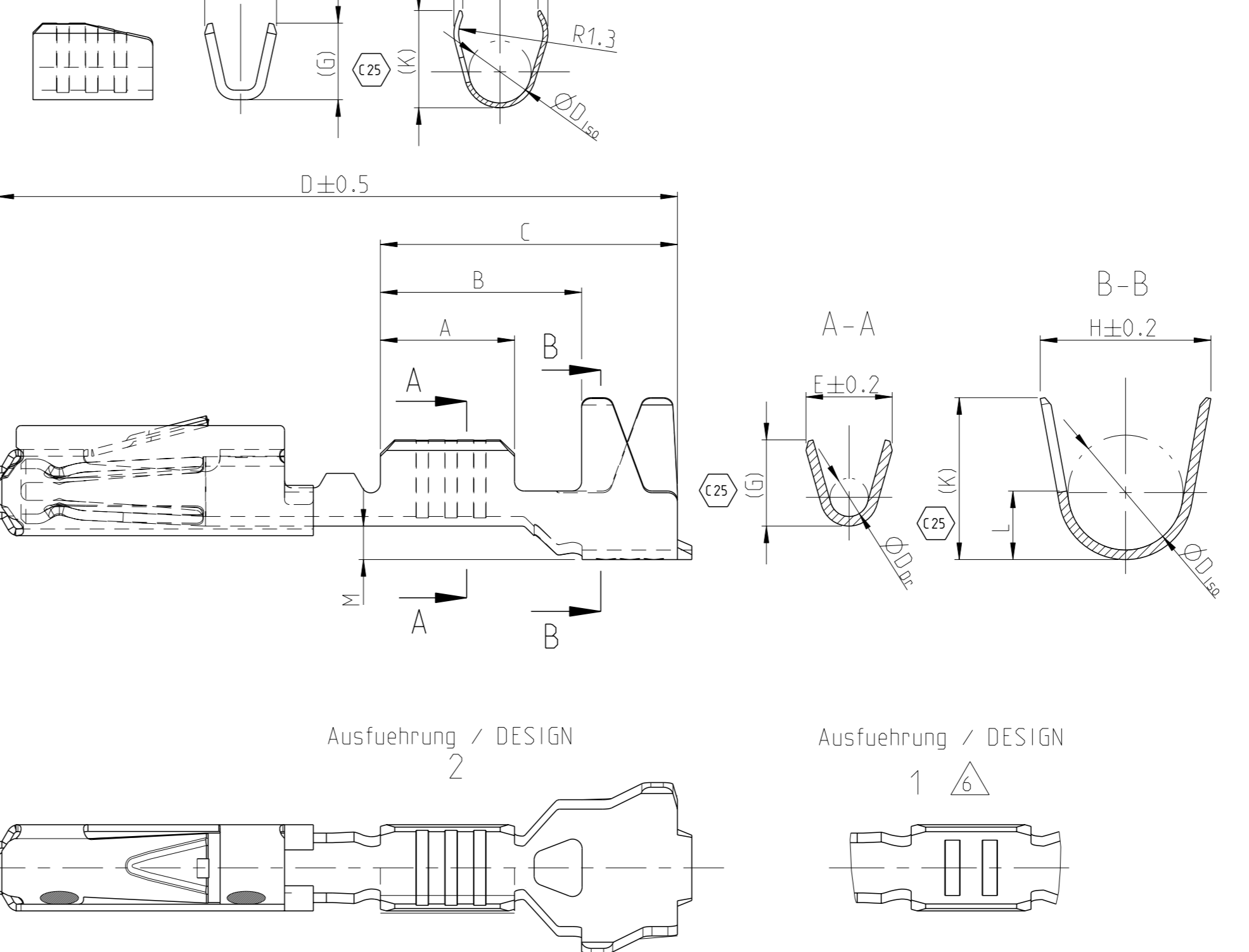


Sn: verzinnete Ausfuehrung
 TINNED
 (a) Kontaktkoerper: 0.8 - 2 µm Sn
 BODY: 0.8 - 2 µm Sn

Ag: versilbert
 SILVER
 (e) min. 0.3 µm Ag
 (f) min. 2.8 µm Ag INSIDE
 min. 2.8 µm Ag innen
 (g) min. 0.2 µm Sn
 (k) min. 0.8 - 2 µm Sn

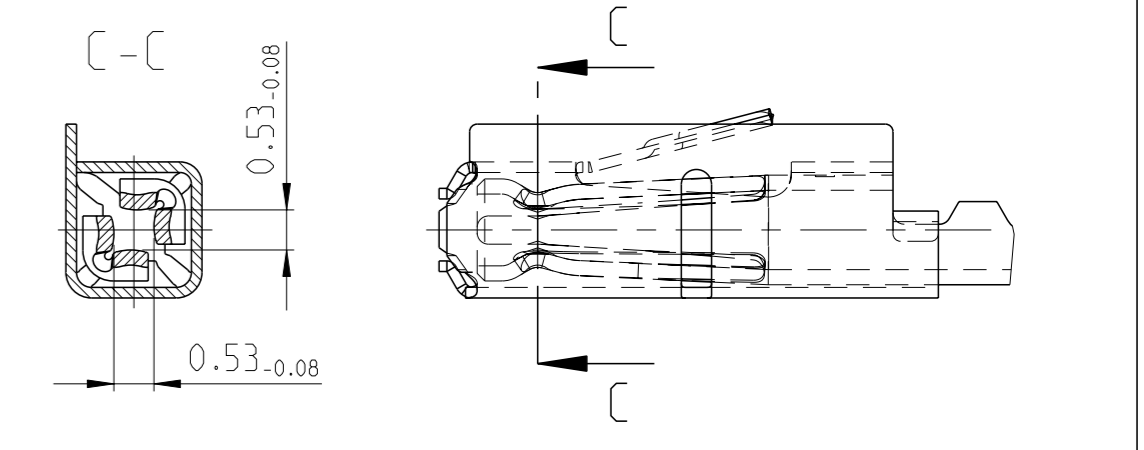
Au (galvanisch): galvanisch vergoldet
 GOLD-ELECTROPLATED
 (d) 0.05-1 µm Ni, beidseitig
 0.05-1 µm Ni, ON BOTH SIDES
 (e) 1-3 µm Ni, beidseitig
 1-3 µm Ni, ON BOTH SIDES
 (f) min. 1.8 µm Au ueber (e), innen
 MIN. 1.8 µm Au OVER (e), INSIDE
 (g) min. 0.2 µm Sn ueber (d), beidseitig
 MIN. 0.2 µm Sn OVER (d), ON BOTH SIDES
 (h) Au galvanisch austaufend
 Au OVERPLATING
 (k) min. 0.8 - 2.0 µm Sn

Ausfuehrung / DESIGN
 Einzeldichtungssystem
 SINGLE WIRE SEAL SYSTEM

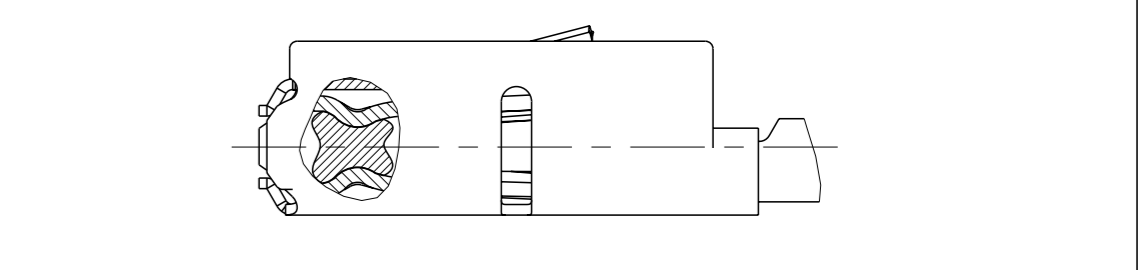


REV.	DATE	DESCRIPTION	BY	CHK
C22	10JAN2019	Tolerance changed to +/-0.1; surface corrected	MAH.	BERG
C23	30APR2019	Definition of measurement point f. contact height	FRAN	BERG
C24	09DEC2019	See PCN E-19-011079	MAH.	BERG
C25	28AUG2020	See PCN E-20-001102	MAH.	BERG

versilberte/vergoldete Ausfuehrung
 SILVER/GOLD VERSION



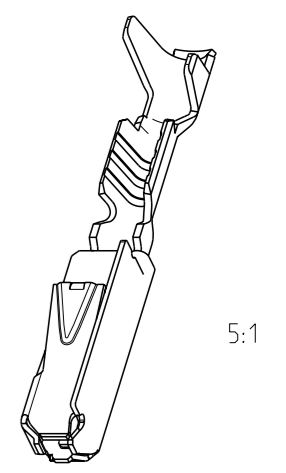
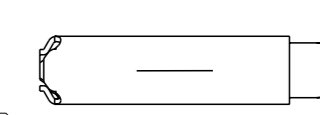
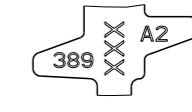
GEL VERSION



Bestell-Nr. ORDER NO. DESIGN 2	Bestell-Nr. ORDER NO. DESIGN 3	Rev.	Bestell-Nr. ORDER NO. DESIGN 1	Rev.	VERSION	DGB Wire Size Range mm ²	Oberflaeche SURFACE	Laenge LENGTH mm	Drahtcrimp WIRE CRIMP mm	Iso-crimp INSU-CRIMP mm	Gewicht WEIGHT g	Vergaerung Spec. APPLICATION SPEC.	DGB Wire Size Range mm ²	Isolations Ø INSULATING DIA. mm	fuer Kammer Ø3.45 FOR CAVITY DIA. 3.45 mm	Blindstopfen RUBBER PLUG	fuer Kammer Ø4 FOR CAVITY DIA. 4 mm	Blindstopfen RUBBER PLUG	zugehoerige Einzeldichtung / SUITABLE SINGLE WIRE SEAL				
6-965906-5	5-965906-6	E	1-965906-5	D	Einzeldichtungssystem SINGLE WIRE SEAL SYSTEM	0.50-0.75	Au-Gel	A = 2.8 B = 4.2 C = 6.2 D = 14.3 M = 0.7	E = 2 G = 2.1 D _{Dr} = 1	H = 3.5 K = 3.4 L = 1.5 D _{ISO} = 2.4	0.13	0.75	1.4-1.9	967067-1 gruen GREEN	967056-1 blau / BLUE	963142-1 schwarz BLACK	967056-1 blau / BLUE	963142-1 schwarz BLACK	114-18025				
5-965906-6	5-965906-5	D	965906-6	C			Au	A = 2.5 B = 3.9 C = 5.9 D = 14 M = 0.7	E = 1.8 G = 1.4 D _{Dr} = 0.8	H = 3.5 K = 3.4 L = 1.5 D _{ISO} = 2.4										0.35	0.9-1.4	967067-2 gelb YELLOW	963142-2 grau GREY
5-965906-5	5-965906-1	E	965906-5	D			Sn	A = 2.5 B = 4.3 C = 6.2 D = 13.7 M = 0.6	E = 1.5 G = 1.4	H = 4 K = 3.9 L = 1.5 D _{ISO} = 2.6										0.2	0.85-1.25	967067-2 gelb YELLOW	963142-2 grau GREY
5-965906-1	5-962885-6	D	965906-1	C			Ag	A = 2.5 B = 3.9 C = 5.9 D = 14 M = 0.7	E = 1.8 G = 1.4 D _{Dr} = 0.8	H = 3.5 K = 3.4 L = 1.5 D _{ISO} = 2.4										0.13	0.9-1.4	967067-2 gelb YELLOW	963142-2 grau GREY
5-962885-6	5-962885-5	J	962885-6	H	normale Anwendung USUAL APPLICATION	0.25-0.35	Au-Gel	A = 2.8 B = 3.8 C = 5.6 D = 13.7 M = 0.2	E = 2 G = 2.1 D _{Dr} = 1	H = 2.7 K = 2.9 L = 0.7 D _{ISO} = 1.6	0.11	0.50-0.75	1.4-1.9	967067-1 gruen GREEN	967056-1 blau / BLUE	963142-1 schwarz BLACK	967056-1 blau / BLUE	114-18021					
5-962885-5	5-962885-1	K	962885-5	J			Au	A = 2.5 B = 3.6 C = 5.6 D = 13.7 M = 0.2	E = 1.8 G = 1.4 D _{Dr} = 0.8	H = 2.3 K = 2.3 L = 0.6 D _{ISO} = 1.4									0.35	0.9-1.4	967067-2 gelb YELLOW	963142-2 grau GREY	
5-962885-1	2141826-6	J	962885-1	H			Sn	A = 2.5 B = 4.3 C = 6.2 D = 13.7 M = 0.6	E = 1.5 G = 1.4	H = 4 K = 3.9 L = 1.5 D _{ISO} = 2.6									0.2	0.85-1.25	967067-2 gelb YELLOW	963142-2 grau GREY	
2141826-6	2141826-5	A	2141826-6	A			Ag	A = 2.5 B = 4.3 C = 6.2 D = 13.7 M = 0.6	E = 1.5 G = 1.4	H = 4 K = 3.9 L = 1.5 D _{ISO} = 2.6									0.13	0.85-1.25	967067-2 gelb YELLOW	963142-2 grau GREY	
2141826-5	2141826-1	A	2141826-5	A	Sn	A = 2.5 B = 4.3 C = 6.2 D = 13.7 M = 0.6	E = 1.5 G = 1.4	H = 4 K = 3.9 L = 1.5 D _{ISO} = 2.6	0.17	0.85-1.25	967067-2 gelb YELLOW	963142-2 grau GREY											
2141826-1	6-963715-5	A	2141826-1	A	normale Anwendung USUAL APPLICATION	0.13 / 0.17	Au-Gel	A = 2.8 B = 3.8 C = 5.6 D = 13.7 M = 0.2	E = 2 G = 2.1 D _{Dr} = 1	H = 2.7 K = 2.9 L = 0.7 D _{ISO} = 1.6	0.11	0.50-0.75	1.4-1.9	967067-1 gruen GREEN	967056-1 blau / BLUE	963142-1 schwarz BLACK	967056-1 blau / BLUE	114-18021					
6-963715-5	5-963715-6	K	1-963715-5	J			Au	A = 2.5 B = 3.6 C = 5.6 D = 13.7 M = 0.2	E = 1.8 G = 1.4 D _{Dr} = 0.8	H = 2.3 K = 2.3 L = 0.6 D _{ISO} = 1.4									0.35	0.9-1.4	967067-2 gelb YELLOW	963142-2 grau GREY	
5-963715-6	5-963715-5	J	963715-6	H			Sn	A = 2.5 B = 4.3 C = 6.2 D = 13.7 M = 0.6	E = 1.5 G = 1.4	H = 4 K = 3.9 L = 1.5 D _{ISO} = 2.6									0.2	0.85-1.25	967067-2 gelb YELLOW	963142-2 grau GREY	
5-963715-5	5-963715-1	K	963715-5	J			Ag	A = 2.5 B = 3.6 C = 5.6 D = 13.7 M = 0.2	E = 1.8 G = 1.4 D _{Dr} = 0.8	H = 2.3 K = 2.3 L = 0.6 D _{ISO} = 1.4									0.13	0.85-1.25	967067-2 gelb YELLOW	963142-2 grau GREY	
5-963715-1	6-928999-5	J	963715-1	H	normale Anwendung USUAL APPLICATION	0.25-0.35	Au-Gel	A = 2.8 B = 3.8 C = 5.6 D = 13.7 M = 0.2	E = 2 G = 2.1 D _{Dr} = 1	H = 2.7 K = 2.9 L = 0.7 D _{ISO} = 1.6	0.11	0.50-0.75	1.4-1.9	967067-1 gruen GREEN	967056-1 blau / BLUE	963142-1 schwarz BLACK	967056-1 blau / BLUE	114-18021					
6-928999-5	5-928999-6	T	1-928999-5	S			Au	A = 2.5 B = 3.6 C = 5.6 D = 13.7 M = 0.2	E = 1.8 G = 1.4 D _{Dr} = 0.8	H = 2.3 K = 2.3 L = 0.6 D _{ISO} = 1.4									0.35	0.9-1.4	967067-2 gelb YELLOW	963142-2 grau GREY	
5-928999-6	5-928999-5	S	928999-6	R			Sn	A = 2.5 B = 4.3 C = 6.2 D = 13.7 M = 0.6	E = 1.5 G = 1.4	H = 4 K = 3.9 L = 1.5 D _{ISO} = 2.6									0.2	0.85-1.25	967067-2 gelb YELLOW	963142-2 grau GREY	
5-928999-5	5-928999-1	T	928999-5	S			Ag	A = 2.5 B = 3.6 C = 5.6 D = 13.7 M = 0.2	E = 1.8 G = 1.4 D _{Dr} = 0.8	H = 2.3 K = 2.3 L = 0.6 D _{ISO} = 1.4									0.13	0.85-1.25	967067-2 gelb YELLOW	963142-2 grau GREY	
5-928999-1	2141824-6	S	928999-1	R	normale Anwendung USUAL APPLICATION	0.08-0.22	Au-Gel	A = 2.8 B = 3.8 C = 5.6 D = 13.7 M = 0.2	E = 2 G = 2.1 D _{Dr} = 1	H = 2.7 K = 2.9 L = 0.7 D _{ISO} = 1.6	0.11	0.50-0.75	1.4-1.9	967067-1 gruen GREEN	967056-1 blau / BLUE	963142-1 schwarz BLACK	967056-1 blau / BLUE	114-18021					
2141824-6	2141824-5	A	2141824-6	A			Au	A = 2.5 B = 3.6 C = 5.6 D = 13.7 M = 0.2	E = 1.8 G = 1.4 D _{Dr} = 0.8	H = 2.3 K = 2.3 L = 0.6 D _{ISO} = 1.4									0.35	0.9-1.4	967067-2 gelb YELLOW	963142-2 grau GREY	
2141824-5	2141824-1	A	2141824-5	A			Sn	A = 2.5 B = 4.3 C = 6.2 D = 13.7 M = 0.6	E = 1.5 G = 1.4	H = 4 K = 3.9 L = 1.5 D _{ISO} = 2.6									0.2	0.85-1.25	967067-2 gelb YELLOW	963142-2 grau GREY	
2141824-1	1355717-6	A	2141824-1	A			Ag	A = 2.5 B = 3.6 C = 5.6 D = 13.7 M = 0.2	E = 1.8 G = 1.4 D _{Dr} = 0.8	H = 2.3 K = 2.3 L = 0.6 D _{ISO} = 1.4									0.13	0.85-1.25	967067-2 gelb YELLOW	963142-2 grau GREY	
1355717-6	1355717-5	A	1355717-6	A	normale Anwendung USUAL APPLICATION	0.08-0.22	Au	A = 2.5 B = 3.6 C = 5.6 D = 13.7 M = 0.2	E = 1.5 G = 1.5 D _{Dr} = 0.65	H = 2 K = 2 L = 0.6 D _{ISO} = 1.1	0.1	0.08-0.22	1.4-1.9	967067-1 gruen GREEN	967056-1 blau / BLUE	963142-1 schwarz BLACK	967056-1 blau / BLUE	114-18021					
1355717-5	1355717-1	C	1355717-5	C			Sn	A = 2.5 B = 4.3 C = 6.2 D = 13.7 M = 0.6	E = 1.5 G = 1.5 D _{Dr} = 0.65	H = 2 K = 2 L = 0.6 D _{ISO} = 1.1									0.2	0.85-1.25	967067-2 gelb YELLOW	963142-2 grau GREY	
1355717-1		C	1355717-1	C			Ag	A = 2.5 B = 3.6 C = 5.6 D = 13.7 M = 0.2	E = 1.8 G = 1.4 D _{Dr} = 0.8	H = 2.3 K = 2.3 L = 0.6 D _{ISO} = 1.4									0.13	0.85-1.25	967067-2 gelb YELLOW	963142-2 grau GREY	

Bemerkungen

- Datumscode (Woche/Jahr z.B. KW 38/Jahr 2009) und TE-Revision (z.B. Rev.A) DATE CODE (WEEK/YEAR E.G. WEEK NUMBER 38/YEAR 2009) AND TE REVISION (E.G. REV. A)
- Passend zu Stiftkontakt siehe Zeichnung 929453 SUITABLE FOR PIN CONTACT SEE DRAWING 929453
- Einzelheiten der Ausfuehrung bleiben dem Hersteller ueberlassen DETAILS OF DESIGN ARE LEFT TO MANUFACTURER
- Nur fuer FLR-Leitung nach DIN 72551 Teil 6 FOR FLR-CONDUCTOR ACCORDING TO DIN 72551-6 ONLY
- nicht fuer Neuanwendung NOT FOR NEW APPLICATION
- zugverstaerkte Leitung nach LV 112-4 REINFORCED WIRE ACCORDING LV 112-4
- Bei doppelt fallenden Werkzeugen wird die erste Ueberfeder mit einer Kennzeichnung "-" versehen WITH DOUBLE OUT DIES THE FIRST SPRING WILL BE PROVIDED WITH AN INDICATION "-"
- Varianten von Design1 werden durch die entsprechenden Versionen von Design2 ersetzt VARIANTS OF DESIGN1 ARE SUPERSEDED BY CORRESPONDING VERSIONS OF DESIGN2



THIS DRAWING IS A CONTROLLED DOCUMENT.		OWN: S. Garcia 05JAN1999	TE Connectivity	
DIMENSIONS: mm		CHK: R. Jetter 05JAN1999	MOS	
TOLERANCES UNLESS OTHERWISE SPECIFIED:		APVD: M. Reicher 13AUG2003	Tabellenzeichnung Buchsenkontakt	
MATERIAL: -		FINISH: -	TABLE SOCKET CONTACT	
SIZE: 114-18030		WEIGHT: -	RESTRICTED TO: -	
APPLICATION SPEC: 114-18021 / 114-18025		SCALE: 10:1	SHEET 1 of 1	
CUSTOMER DRAWING		REV: C25	REV: C25	

Mouser Electronics

Authorized Distributor

Click to View Pricing, Inventory, Delivery & Lifecycle Information:

[TE Connectivity:](#)

[5-963715-1 \(Mouser Reel\)](#)