

THIS DRAWING IS UNPUBLISHED.

RELEASED FOR PUBLICATION

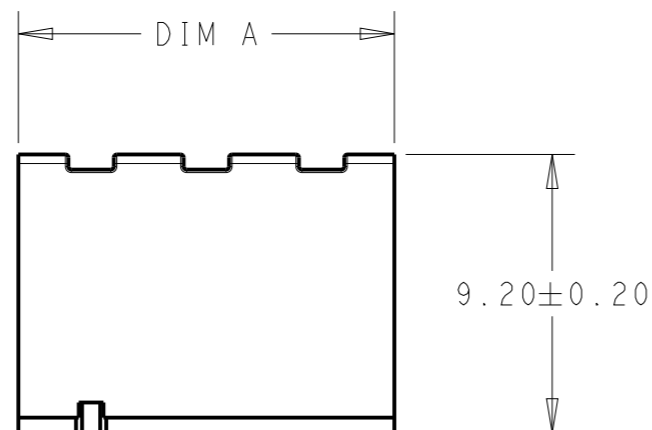
20

© COPYRIGHT 20 BY -

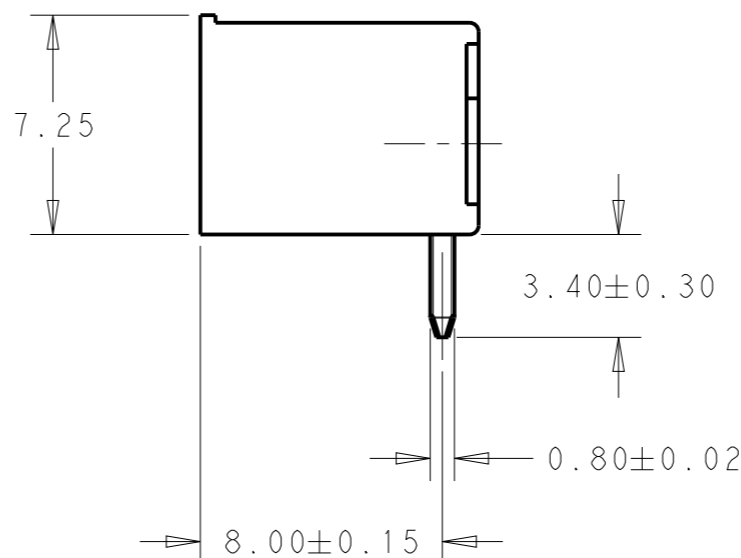
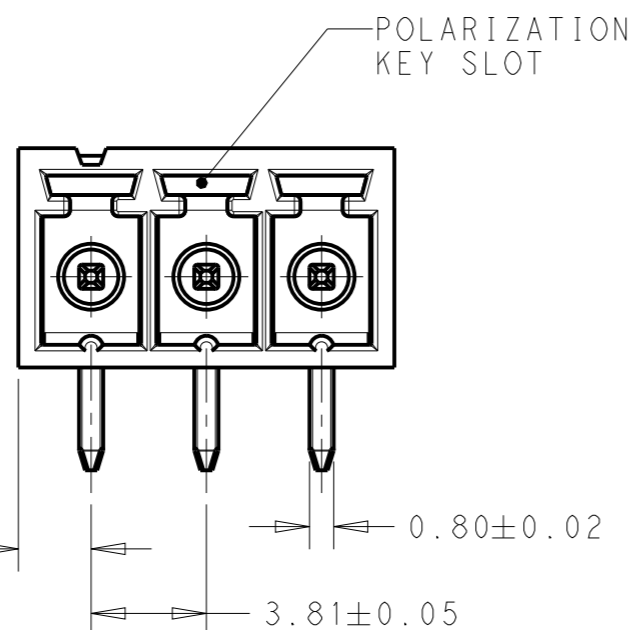
ALL RIGHTS RESERVED.

REVISIONS

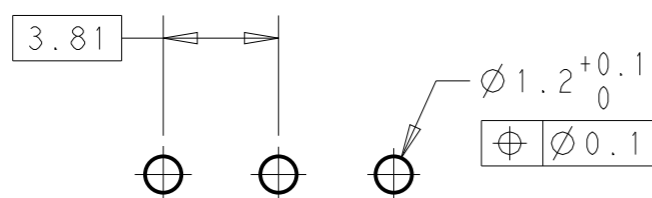
P	LTR	DESCRIPTION	DATE	DWN	APVD
	A	REVISED PER ECO-14-009591	07OCT2014	NK	MM



- 1 MATERIALS AND FINISH:
HOUSING: HIGH TEMPERATURE POLYAMIDE, UL94V-0
COLOR: BLACK.
TERMINAL: PHOSPHOR BRONZE, TIN PLATED.
- 2 SUITABLE FOR 1.6-2.4mm PC BOARD THICKNESS.
- 3 UL RATING: 300V, 11A.



46.73	12	1-1776135-2
42.92	11	1-1776135-1
39.11	10	1-1776135-0
35.30	9	1776135-9
31.49	8	1776135-8
27.68	7	1776135-7
23.87	6	1776135-6
20.06	5	1776135-5
16.25	4	1776135-4
12.44	3	1776135-3
8.63	2	1776135-2
DIM A	NO OF POS.	PART NUMBER



RECOMMENDED PC BOARD LAYOUT

THIS DRAWING IS A CONTROLLED DOCUMENT.

DIMENSIONS:	TOLERANCES UNLESS OTHERWISE SPECIFIED:
mm	
	±
	±0.3
	±0.25
	±
	±
ANGLES	±2°
MATERIAL	FINISH
	-
	-

DWN	S. SCHLEGEL	06JAN2010
CHK	C RICHARD	06JAN2010
APVD	C RICHARD	06JAN2010
PRODUCT SPEC	-	
APPLICATION SPEC	-	
WEIGHT	-	
CUSTOMER DRAWING		

STE TE Connectivity

NAME: TERMINAL BLOCK HEADER ASSEMBLY, 90 DEGREE, CLOSED ENDS, 3.81mm PITCH

SIZE	CAGE CODE	DRAWING NO	RESTRICTED TO
A3	00779	C=1776135	-

SCALE: 4:1 SHEET 1 OF 1 REV A